

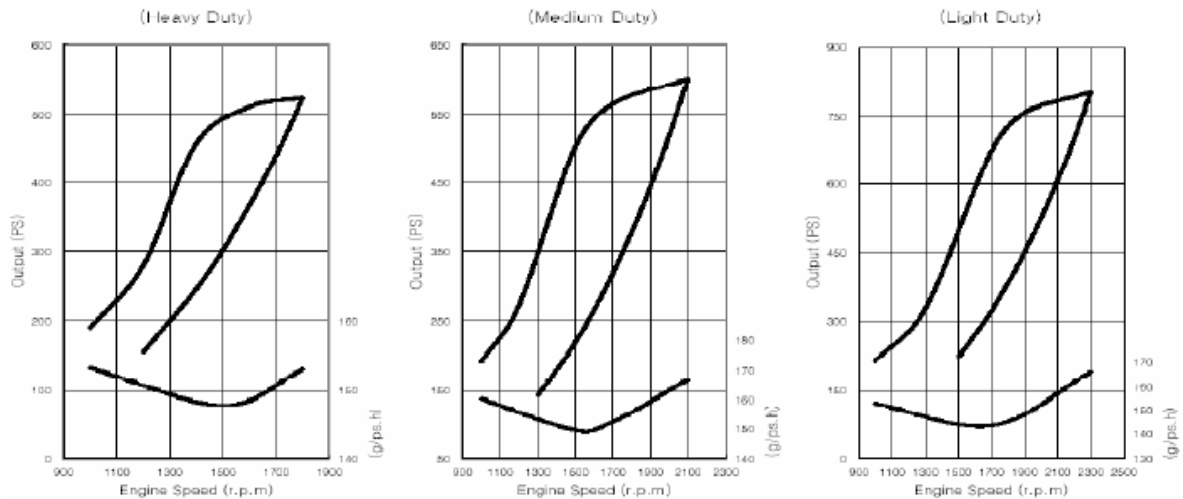
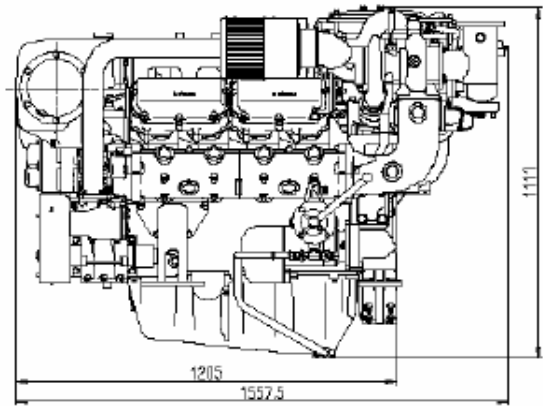
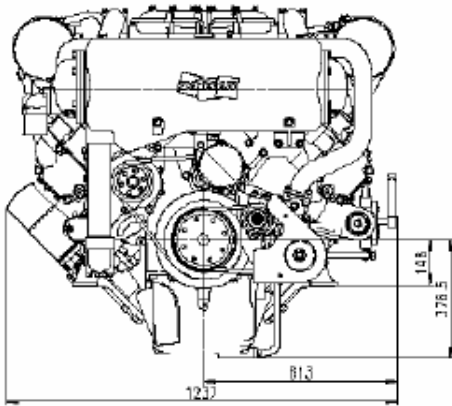
## 4V158TI MARINE ENGINE

Production tolerance :  $\pm 3\%$

### POWER RATING

MODEL	CONDITIONS	POWER	rpm	Base Engine
4V158TIH	HEAVY DUTY	390kW (530PS)	1,800	D2848LB
4V158TIM	MEDIUM DUTY	441kW (600PS)	2,100	
4V158TIL	LIGHT DUTY	588kW (800PS)	2,300	

**Note :** 1) No reduction in rating for intake air temperature is up to 45 °C (318K) and sea water temperature is up to 32 °C (305K) , relative humidity is up to 60 % all data are based on operation to ISO 3046.



- **Heavy Duty** : Operation hours are unlimited per year, at average load is up to 90 %, at full load is up to 80 %  
 Typical gearbox ratio: 2.5 ~ 6  
 (Fishing trawler, Tug boat, Pushing vessel, Cargo boat, Freighter, Ferry)
- **Medium Duty** : Operation hours are up to 3,000 per year, at average load is up to 70 %  
 At full load is (up to 30 % / 4hrs per 12 hour operation period).  
 Typical gearbox ratio: 2 ~ 3.5  
 (Fishing boat, Pilot boat, Escort boat, Passenger boat, Ferry, Cruising vessel)
- **Light Duty** : Operation hours are up to 1,000 per year, at average load is up to 50 %  
 At full load is (up to 20 % / 2hrs per 12 hour operation period)  
 Typical gearbox ratio: 1 ~ 2.5  
 (Light weight fishing boat, Yacht, Coastguard boat, Fast boat, Fire pump, Navy, Bow thruster)

